

Explorer

Semi-Automatic
High Production Capability

From 475 to 1,800 gallons per day
(1,800 - 6,810 liters per day)



COMPACT



MODULAR

The Blue Water EXPLORER series of watermakers offers semi-automatic operation in a wide range of capacities to fit the needs of most mid to large sized yachts. The system is operated by traditional switches and a manual high pressure valve. An electronic controller automatically diverts product water to the storage tank and LED lights indicate product water salinity and system status. The EXPLORER series includes an automatic Fresh Water Flush system as standard.

Explorer Systems Feature:

- Fresh Water Flush system
- High Rejection membranes
- Quiet and reliable high pressure pumps
- Product water Carbon filter
- Dual voltage 50/60 Hz motors
- Stainless steel booster pump shaft
- Designed for ease of service & maintenance
- Installation kit including bronze sea strainer
- No charge upgrade to Commercial Pre-filter

Explorer System Advantages:

- Semi-Automatic operation
- Simple controller with LED indicators
- Optional remote control
- Compact design
- Expandable to 1,800 gallons per day
- High and low pressure safety switches
- Available in both compact frame and modular component style configurations

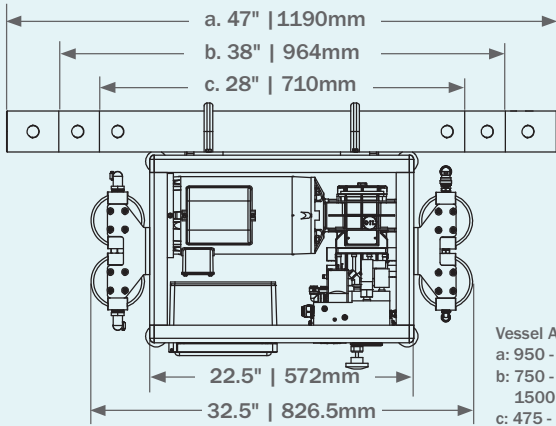
EXPLORER SPECIFICATIONS

Model #	No. of Membranes	Production per hour	Production per 24 hours	Feed Flow GPM	Weight (lbs. / kg.)
EXL 475	1	20 Gal / 75 L	475 Gal / 1,800 L	4.2	165 / 75
EXL 750	1	31 Gal / 118 L	750 Gal / 2,840 L	4.2	175 / 79
EXL 950-1	1	40 Gal / 150 L	950 Gal / 3,600 L	4.2	180 / 82
EXL 950-2	2	40 Gal / 150 L	950 Gal / 3,600 L	4.2	185 / 84
EXL 1200	2	50 Gal / 189 L	1,200 Gal / 4,540 L	4.2	185 / 84
EXL 1500	2	63 Gal / 237 L	1,500 Gal / 5,680 L	4.2	185 / 84
EXL 1800	2	75 Gal / 284 L	1,800 Gal / 6,810 L	4.2	190 / 86

Model (phase)	Booster Pump HP KW	HP Pump HP KW	HZ	Voltage	Run Amps	Start Amps
Single	0.50 0.37	2.5 1.8	50/60	110/220	31.0 / 15.5	109 / 55
Three	0.50 0.37	3.0 2.2	50/60	208/230	10.6 / 8.9	37 / 36
Three	0.50 0.37	3.0 2.2	50/60	380/460	5.3 / 4.4	18 / 16

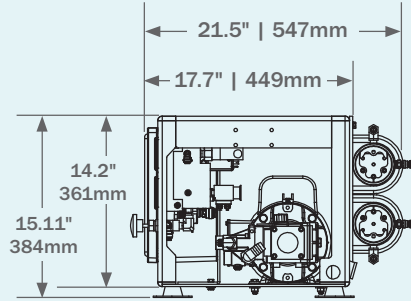
EXPLORER DIMENSIONS

COMPACT



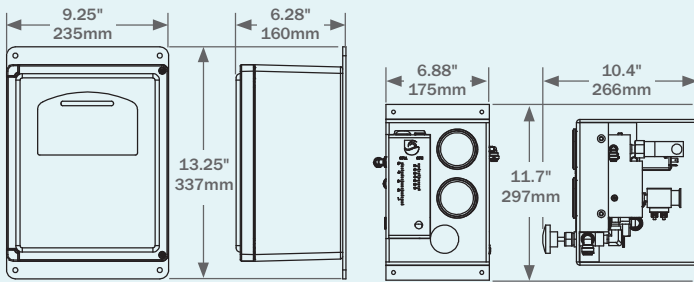
Top View

Vessel Assembly
 a: 950 - 1 / 1800 - 2 GPD
 b: 750 - 1 / 1200 - 2 /
 1500 - 2 GPD
 c: 475 - 1 / 950 - 2 GPD



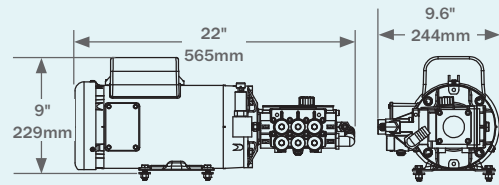
Right Side View

MODULAR



Electric Box

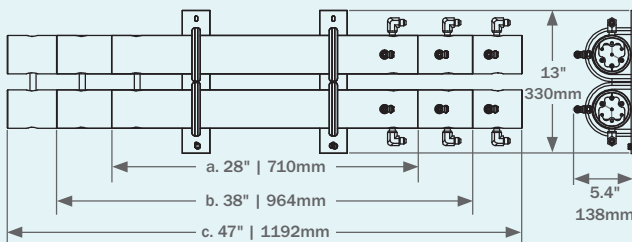
Controller



High Pressure Pump

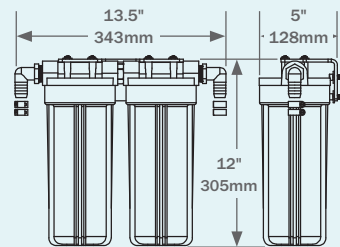
COMPONENTS

Compact & Modular

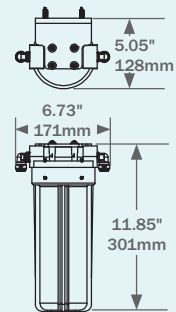


Vessel Assembly

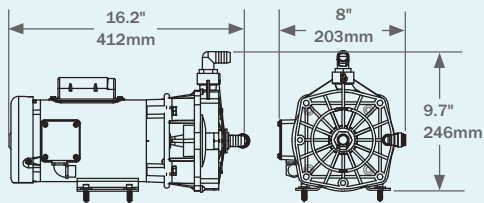
a: 950 - 1 / 1850 - 2 GPD | b: 750 - 1 / 1200 - 2 / 1500 - 2 GPD | c: 475 - 1 / 950 - 2 GPD



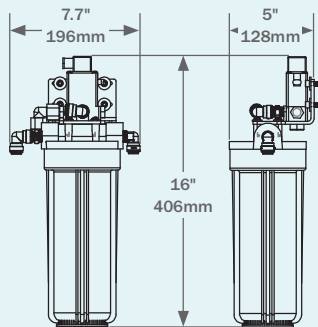
Dual Pre-Filter



Carbon Filter

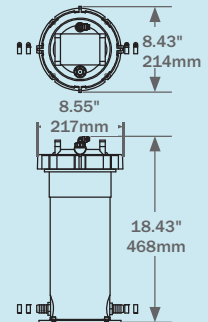


Booster Pump



Fresh Water Flush

Optional



Commercial Pre-Filter /
OW Separator